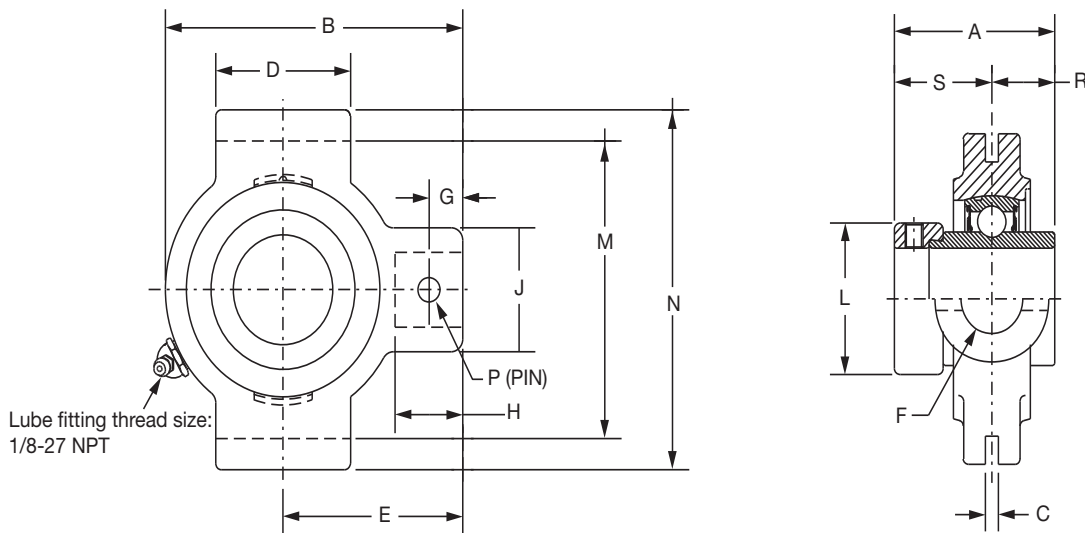
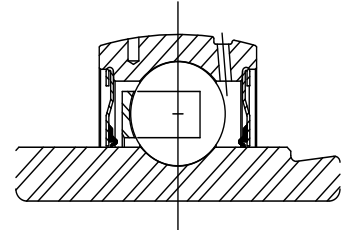




# SELECTION/DIMENSIONS

## Eccentric Collar Ball Bearings SXR NORMAL DUTY NARROW SLOT TAKE-UP BEARINGS



Series	Shaft Size	Standard	
		Part No.	Description
204	3/4	<b>131154</b>	NSTU-SXR-012
205	7/8	<b>131156</b>	NSTU-SXR-014
	15/16	<b>131157</b>	NSTU-SXR-015
	1	<b>131158</b>	NSTU-SXR-100
206	1-1/16	<b>131159</b>	NSTU-SXR-101
	1-1/8	<b>131160</b>	NSTU-SXR-102
	1-3/16	<b>131161</b>	NSTU-SXR-103
	1-1/4	<b>@</b>	NSTU-SXR-104S
207	1-1/4	<b>131163</b>	NSTU-SXR-104
	1-5/16	<b>131164</b>	NSTU-SXR-105
	1-3/8	<b>131165</b>	NSTU-SXR-106
	1-7/16	<b>131166</b>	NSTU-SXR-107
208	1-1/2	<b>131167</b>	NSTU-SXR-108
209	1-5/8	<b>131170</b>	NSTU-SXR-110
	1-11/16	<b>131171</b>	NSTU-SXR-111
	1-3/4	<b>131172</b>	NSTU-SXR-112
210	1-15/16	<b>131175</b>	NSTU-SXR-115
	2	<b>131177</b>	NSTU-SXR-200
211	2	<b>@</b>	NSTU-SXR-200L
	2-3/16	<b>131180</b>	NSTU-SXR-203
212	2-1/4	<b>131182</b>	NSTU-SXR-204
	2-7/16	<b>131185</b>	NSTU-SXR-207

@ Assembled to order

FEATURES/BENEFITS  
PAGE B7-3

HOW TO ORDER/NOMENCLATURE  
PAGE B7-7

EASY SELECTION  
PAGE B7-8

ACCESSORIES  
PAGE B7-44

Eccentric Collar Ball Bearings  
 Setscrew VSC Ball Bearing  
 Eccentric SXV Collar Ball Bearing  
 Take-Up Frames  
 Engineering  
 Part Number Index  
 Keyword Index

# SELECTION/DIMENSIONS



## Eccentric Collar Ball Bearings SXR NORMAL DUTY NARROW SLOT TAKE-UP BEARINGS

Eccentric Collar Ball Bearing

Setscrew VSC Ball Bearing

Eccentric SXV Collar Ball Bearing

Take-Up Frames

Engineering

Part Number Index

Keyword Index

Series	Shaft Size	Weight lbs	Take-Up Frame Size	A	B	C	D	E	F Screw Dia.	G	H	J	L	M	N	P Pin Dia.	R	S
204	3/4	1.5	NS210	1.55	3.50	0.250	1.50	2.19	3/4	0.44	0.88	1.38	1.31	2.635/2.605	3.13	0.32	0.50	1.05
205	7/8	1.7	NS210	1.62	3.56	0.250	1.50	2.19	3/4	0.44	0.88	1.38	1.50	2.635/2.605	3.13	0.32	0.56	1.06
	15/16	1.6																
	1	1.5																
206	1-1/16	2.9	NS308	1.77	4.31	0.250	2.50	2.69	3/4	0.50	0.94	1.38	1.75	3.510/3.480	4.13	0.32	0.58	1.19
	1-1/8	2.8																
	1-3/16	2.6																
	1-1/4	2.5																
207	1-1/4	3.0	NS308	1.95	4.50	0.250	2.50	2.69	3/4	0.50	0.94	1.38	2.13	3.510/3.480	4.13	0.32	0.67	1.28
	1-5/16	2.8																
	1-3/8	2.7																
	1-7/16	2.5																
208	1-1/2	5.0	NS400	2.12	5.38	0.313	3.00	3.25	7/8	0.66	1.16	1.63	2.38	4.015/3.985	4.75	0.38	0.75	1.37
209	1-5/8	5.4	NS400	2.13	5.44	0.313	3.00	3.25	7/8	0.72	1.22	1.63	2.50	4.015/3.985	4.75	0.38	0.75	1.38
	1-11/16	5.2																
	1-3/4	5.0																
210	1-15/16	5.7	NS400	2.25	5.50	0.313	3.00	3.25	7/8	0.59	1.09	1.63	2.75	4.015/3.985	4.75	0.38	0.75	1.50
	2	5.3																
211	2	7.4	NS407	2.59	6.13	0.313	3.50	3.63	1	0.69	1.28	1.75	3.00	4.448/4.418	5.38	0.44	0.88	1.71
	2-3/16	7.2																
212	2-1/4	10.0	NS415	2.74	6.69	0.313	3.75	3.88	1	0.69	1.28	1.63	3.31	4.947/4.917	5.75	0.44	0.90	1.84
	2-7/16	9.0																

FEATURES/BENEFITS PAGE B7-3	HOW TO ORDER/NOMENCLATURE PAGE B7-7	EASY SELECTION PAGE B7-8	ACCESSORIES PAGE B7-44
--------------------------------	--	-----------------------------	---------------------------